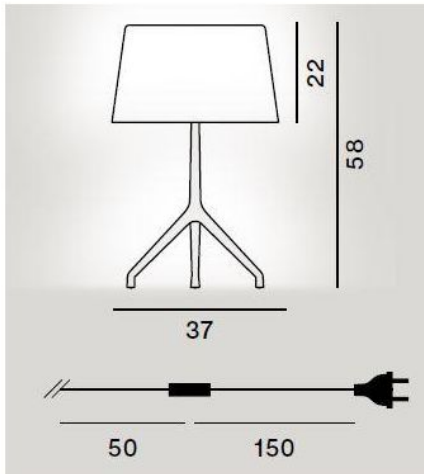


Foscarini

Lumiere XXL Spare Frame



Oberfläche

- aluminum
- chrome black

Technical details

Country of Manufacture	 Italy
Manufacturer	Foscarini
Designer	Rodolfo Dordoni
material	aluminum
cable length	200 cm
cable color	transparent
dimming	cord dimmer
Base / Socket	G9
system performance	4 x 33 Watt (max)
Protection class / IP rating	IP20
voltage suitability	110 - 240 Volt

Description

The Foscarini Lumiere XXL replacement frame is made of aluminum. It is offered in the surfaces aluminum or chrome black. This spare part is used for the Lumiere XXL table lamp.